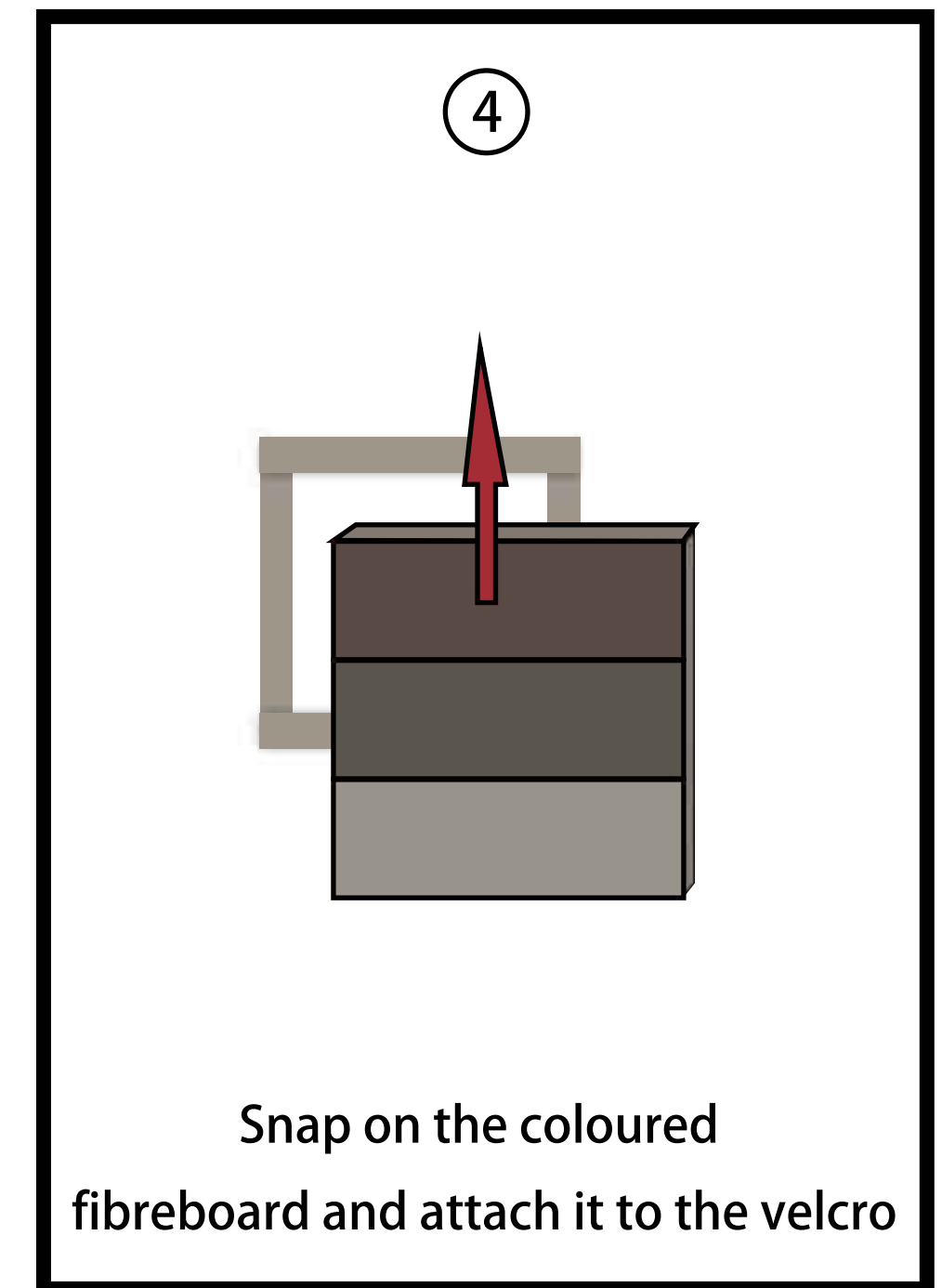
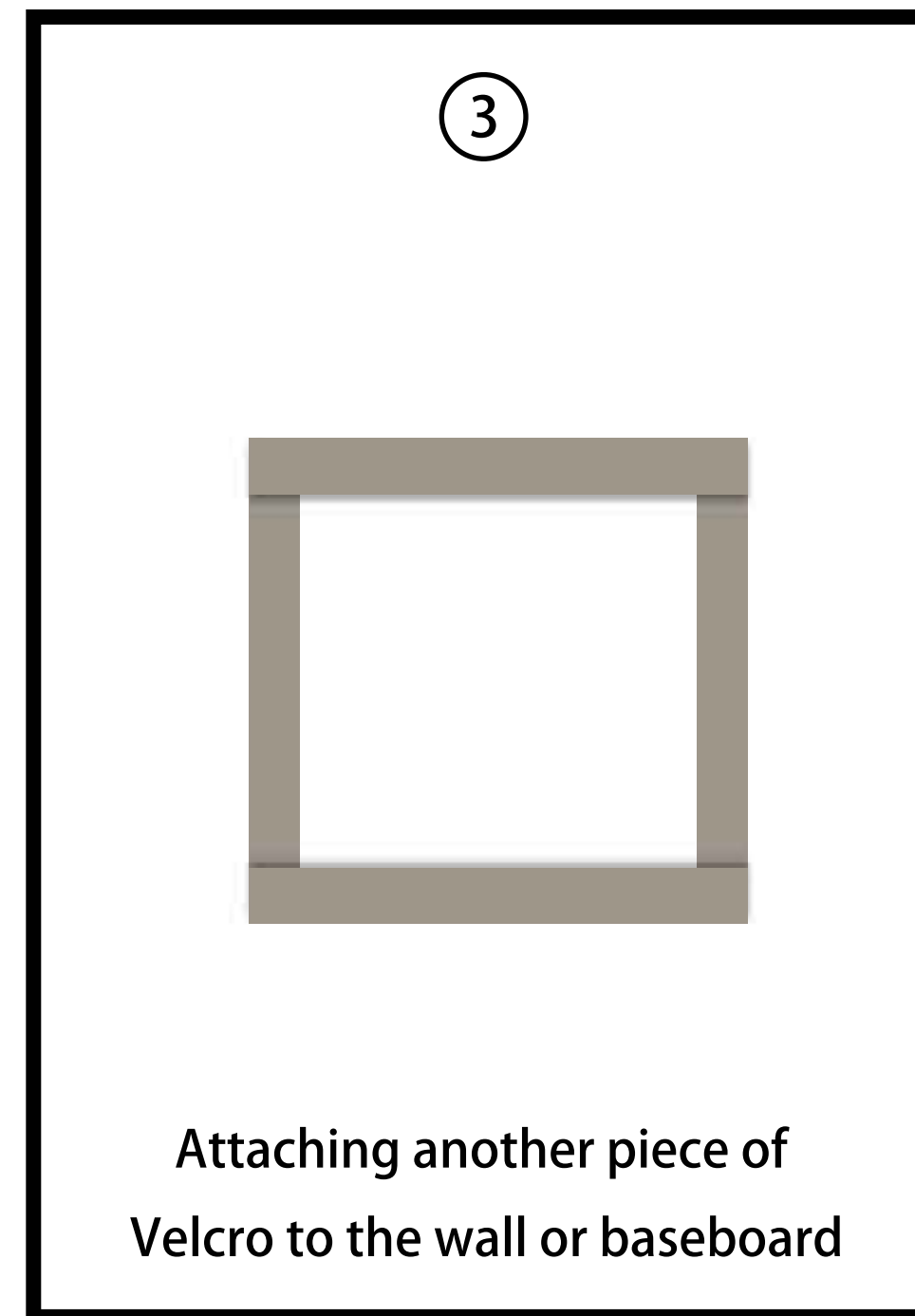
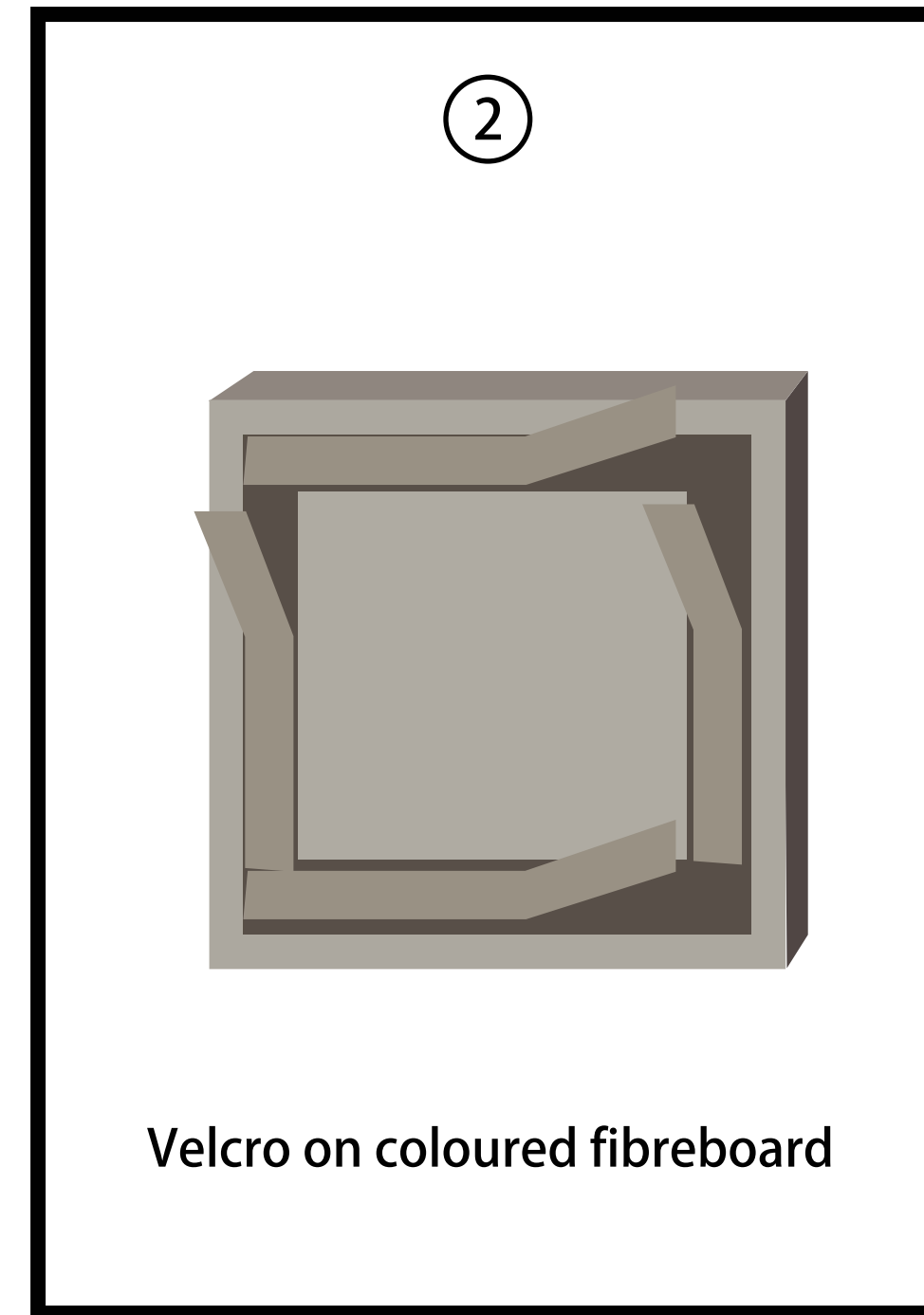
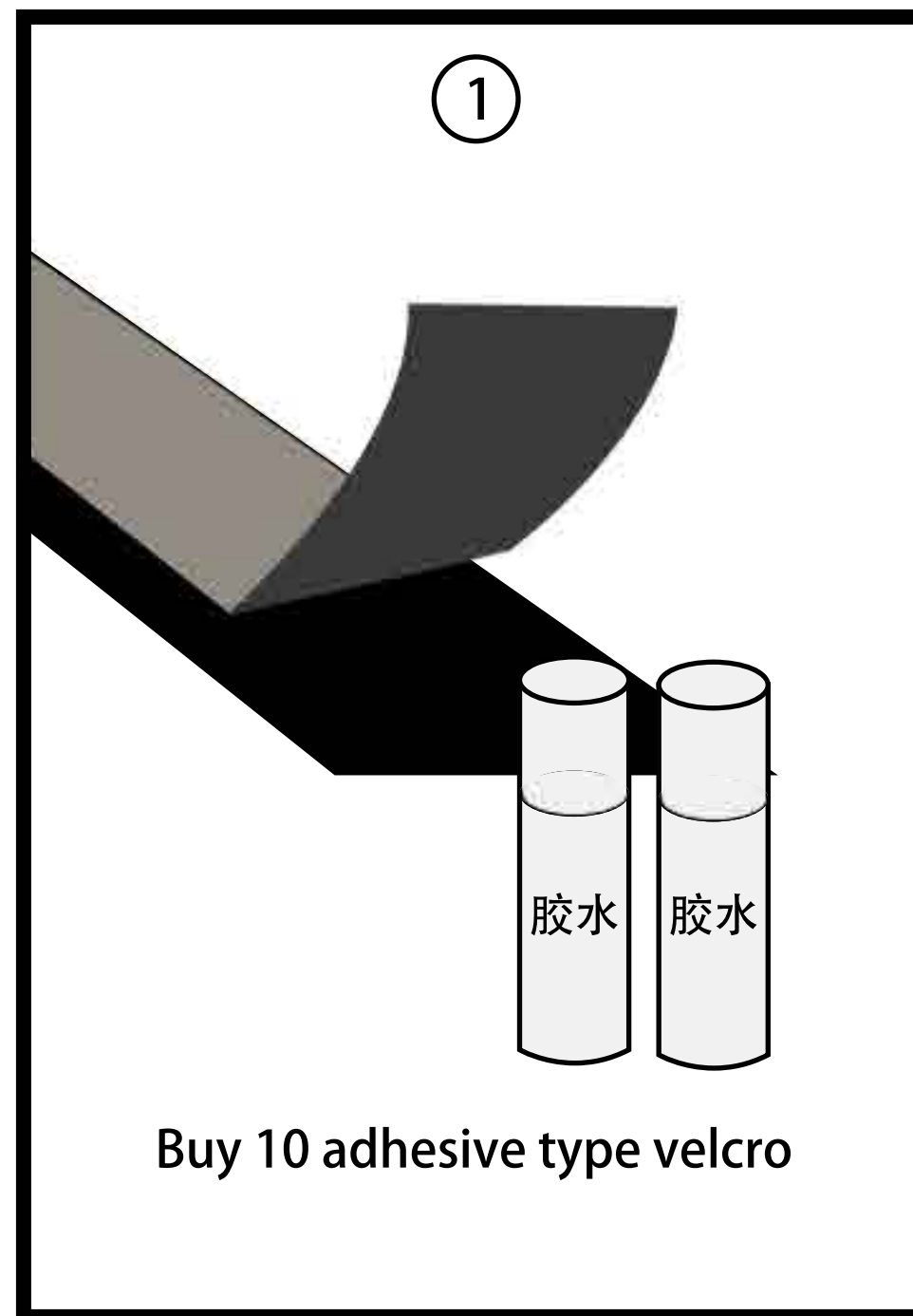
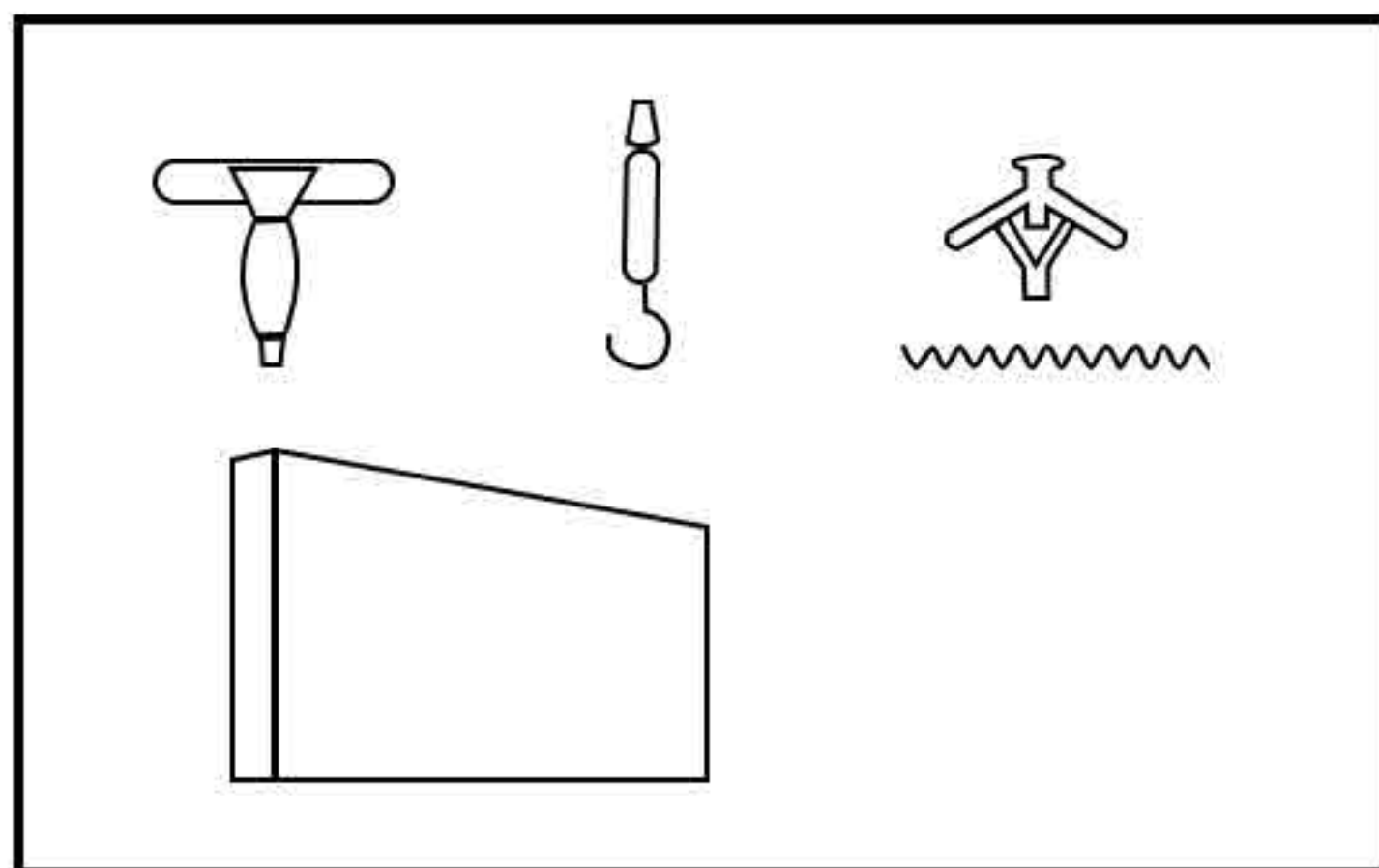


# INSTALLATION

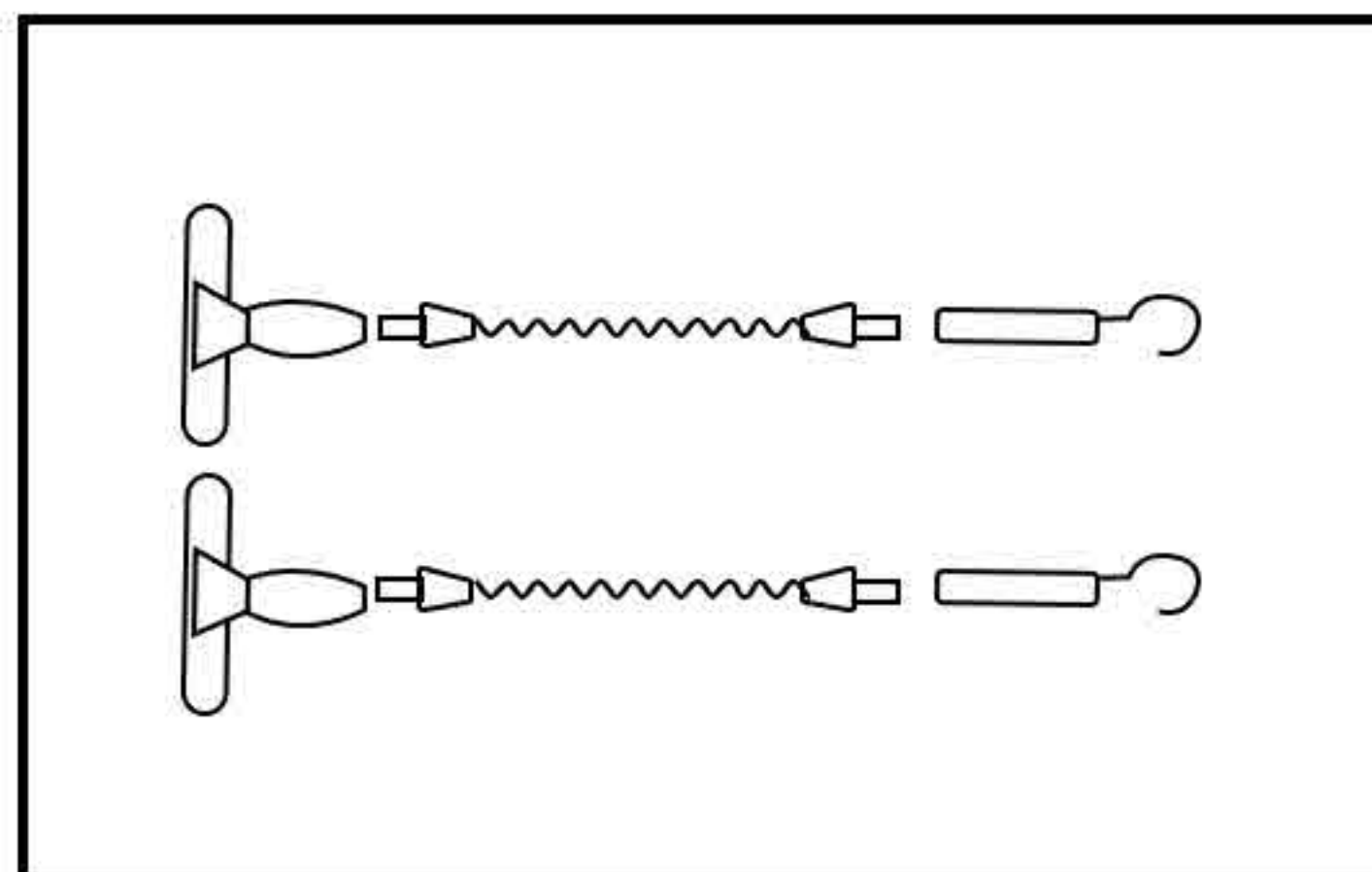
## Velcro Installation Method



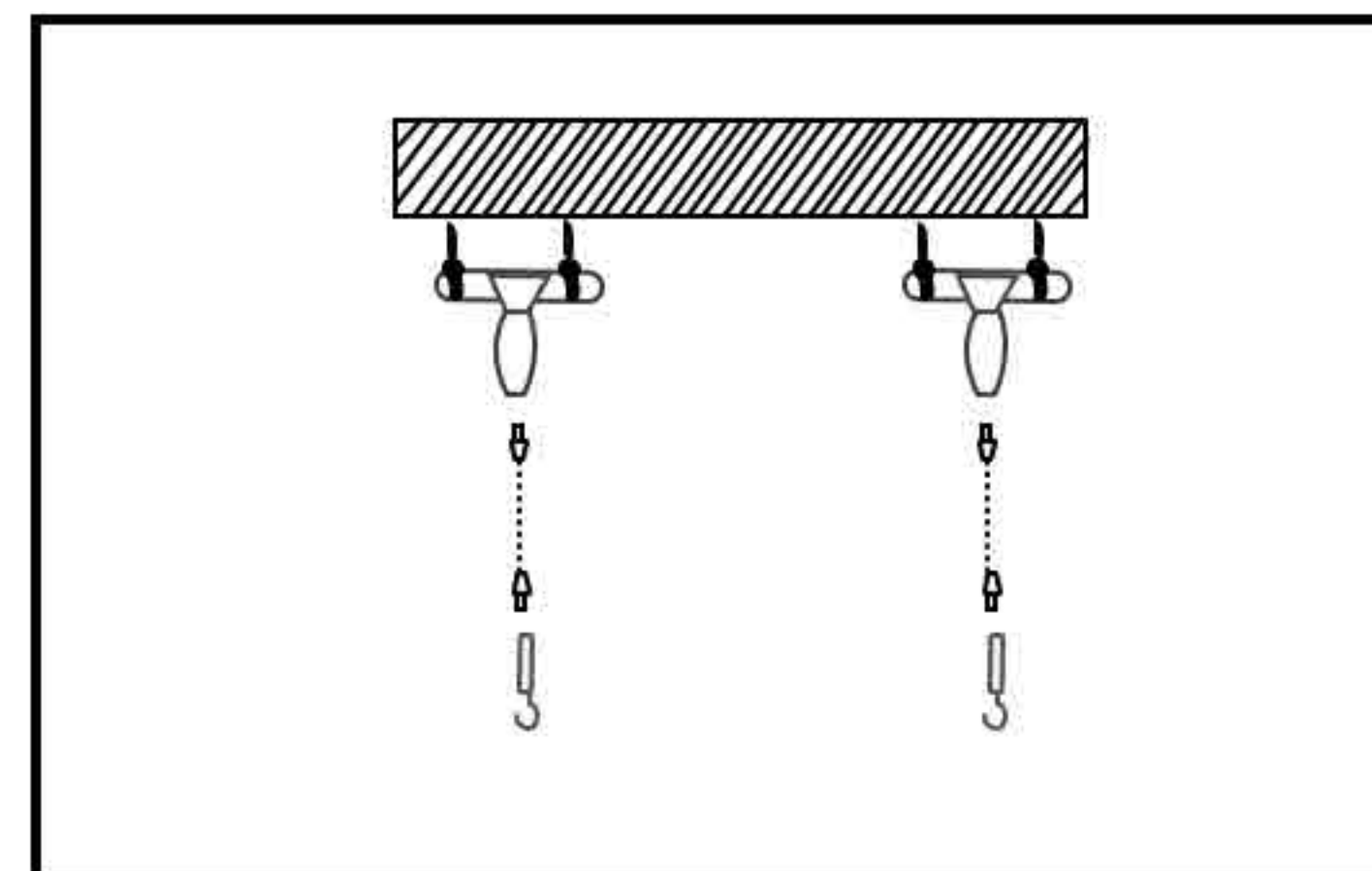
# Hangs Taiwan installation method



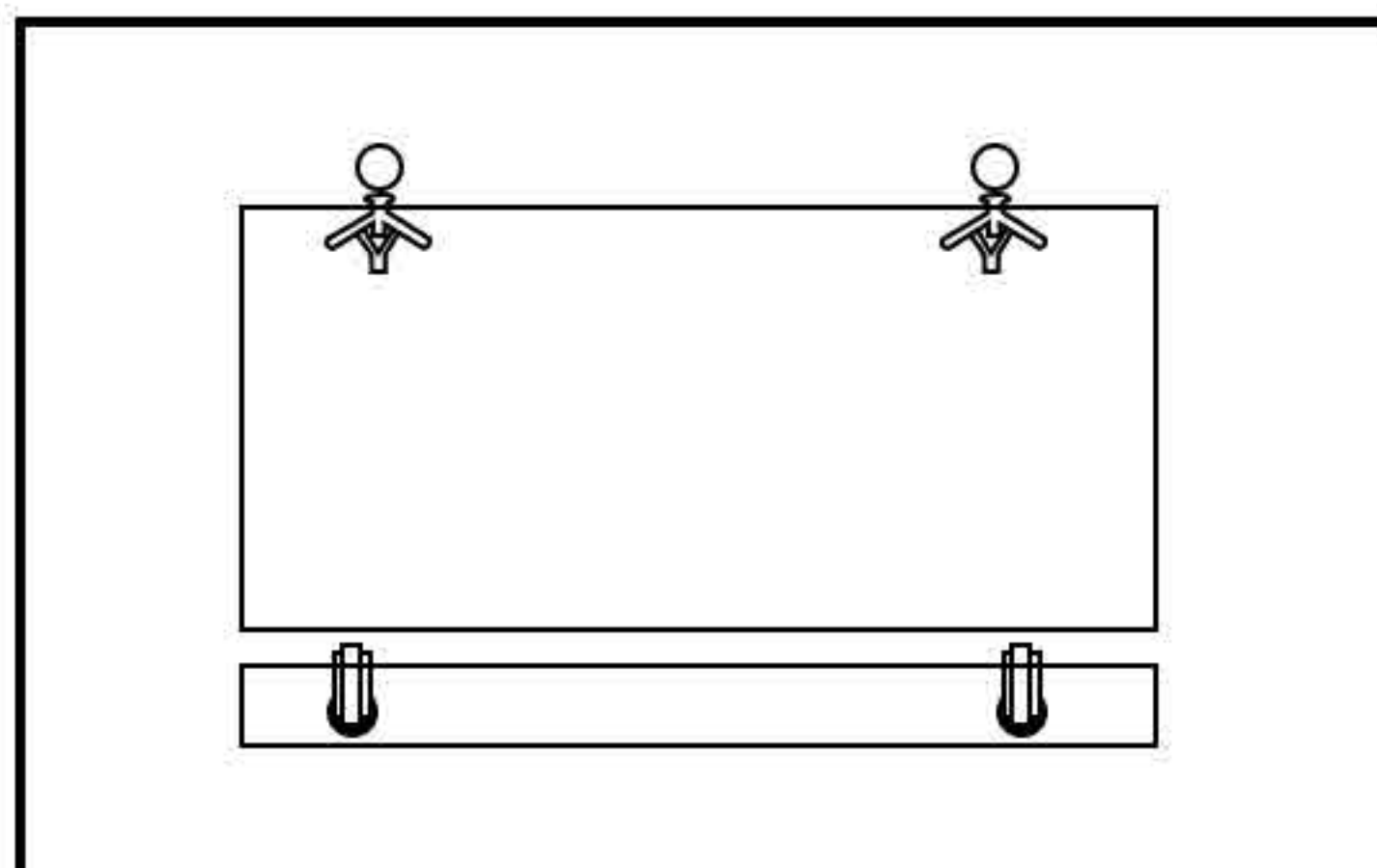
Removing accessories and pegboard



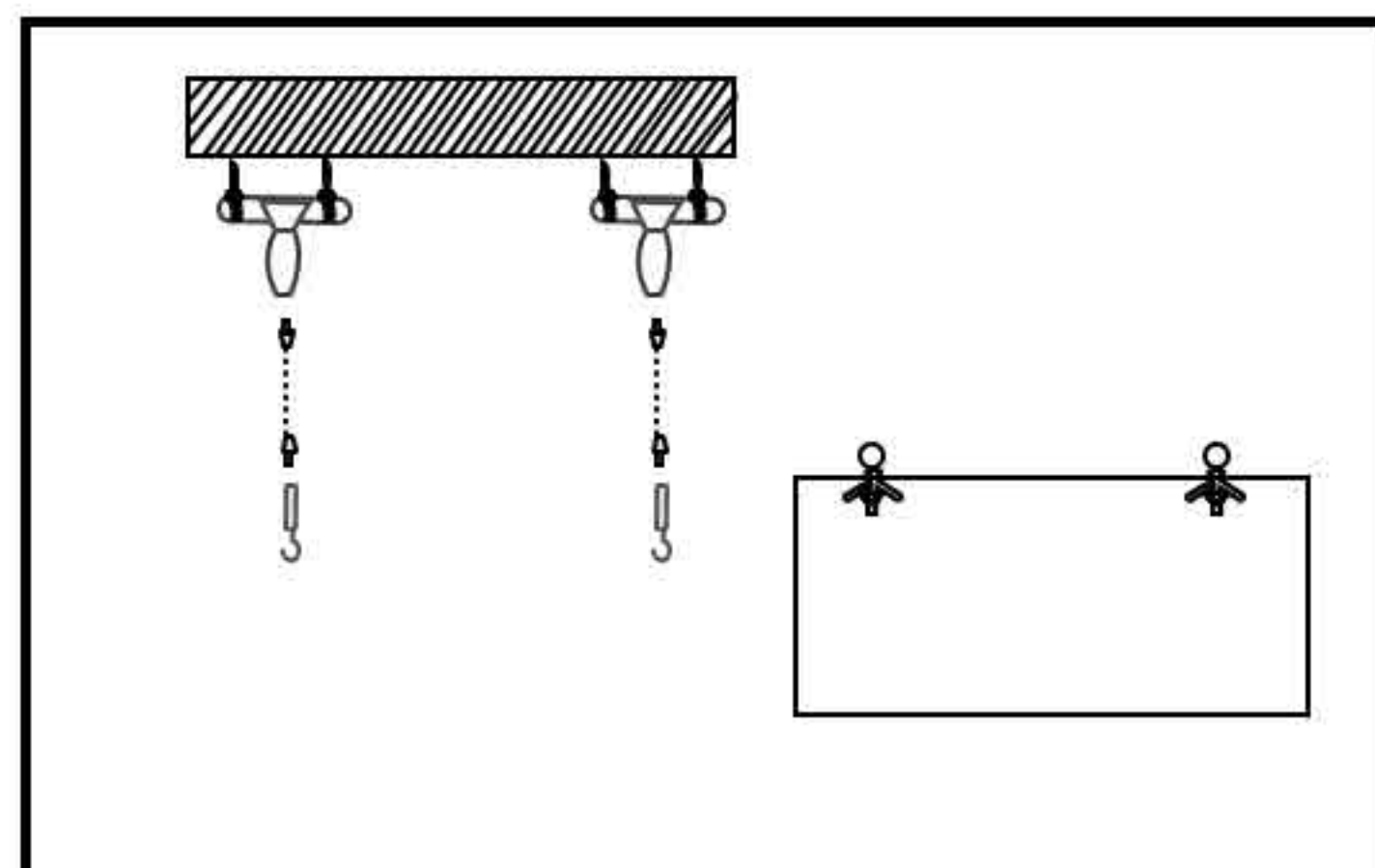
Take out the fittings and hooks and attach them as shown in the illustration, leaving the right length of lanyard.



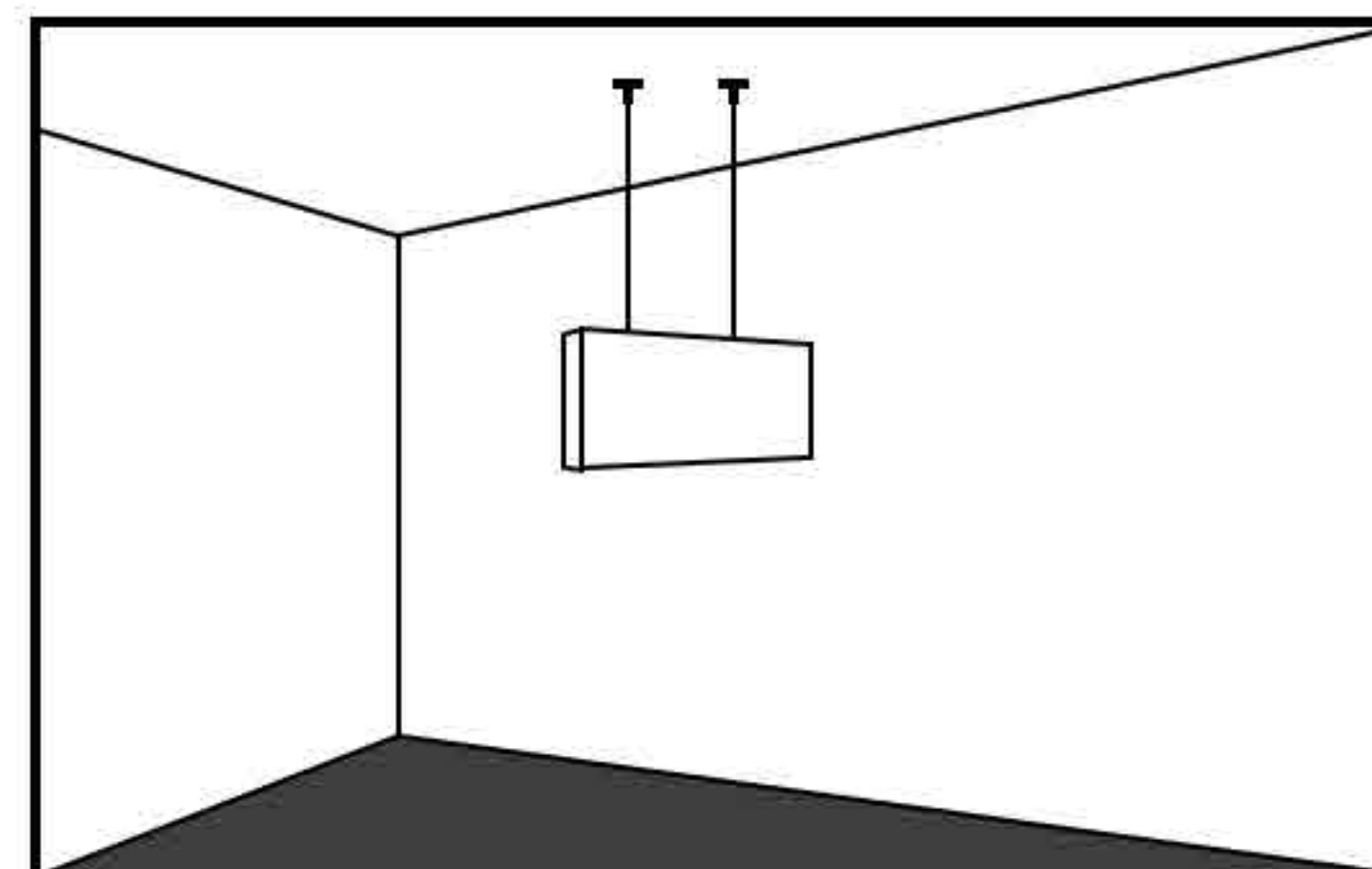
Attach the hooks to the ceiling as shown in the illustration



Install the pegboard in the same way as the illustration

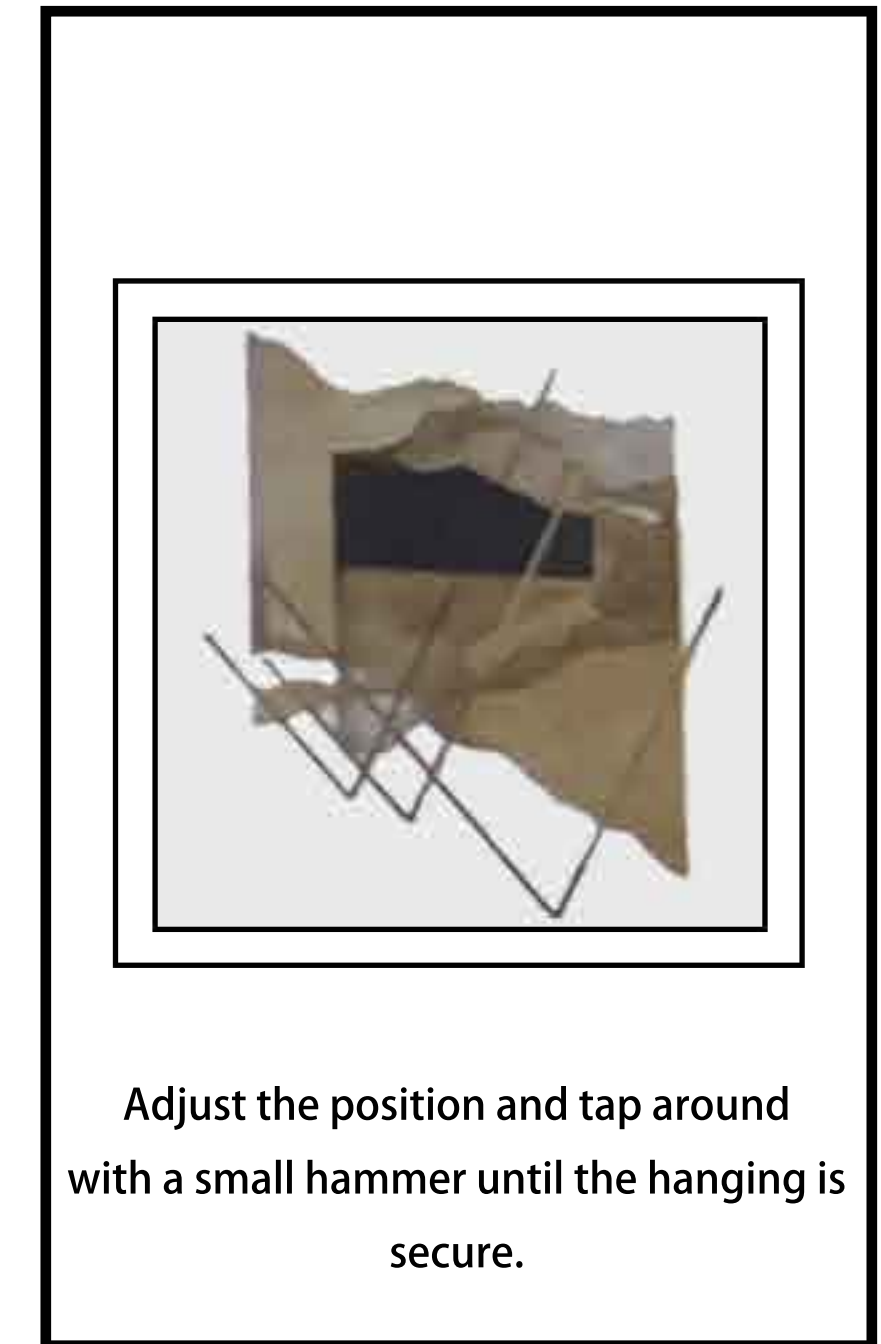
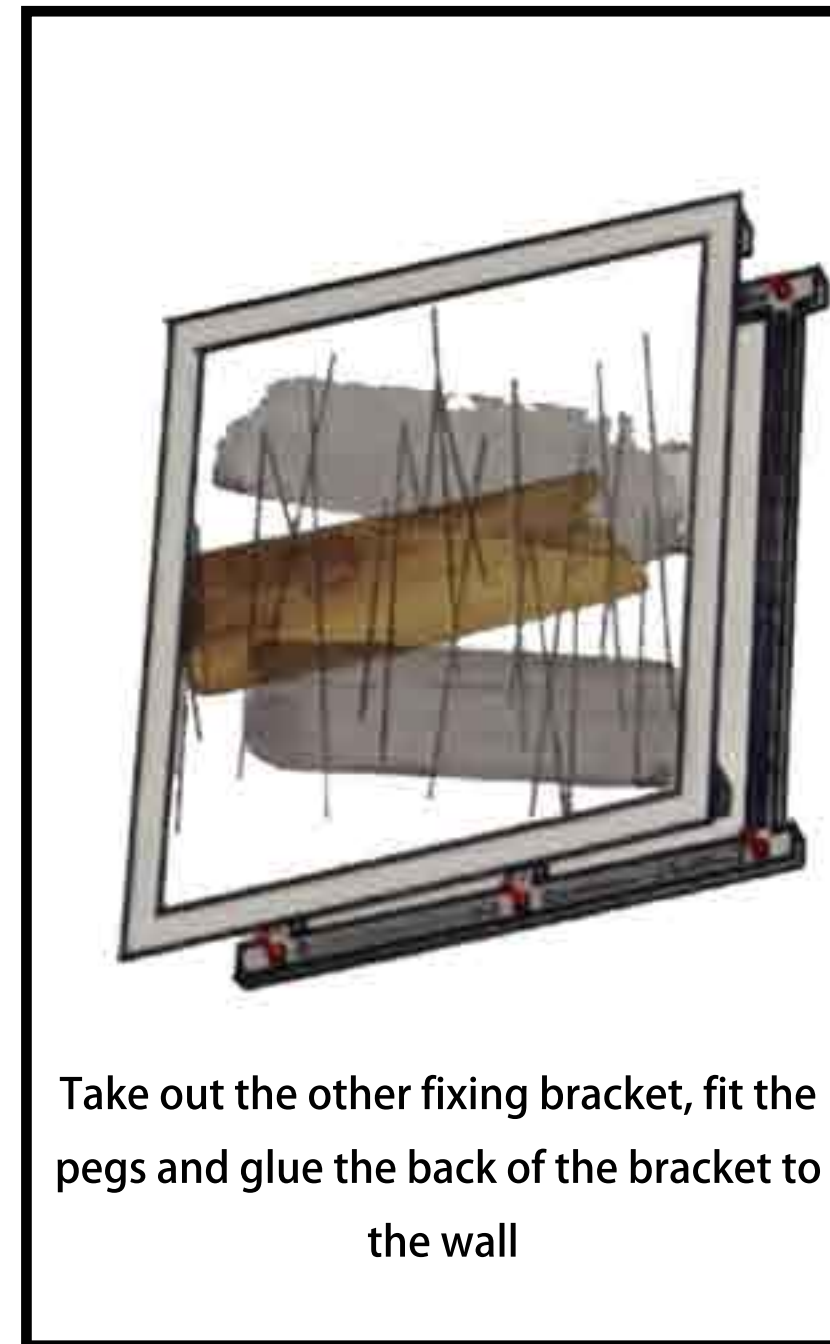
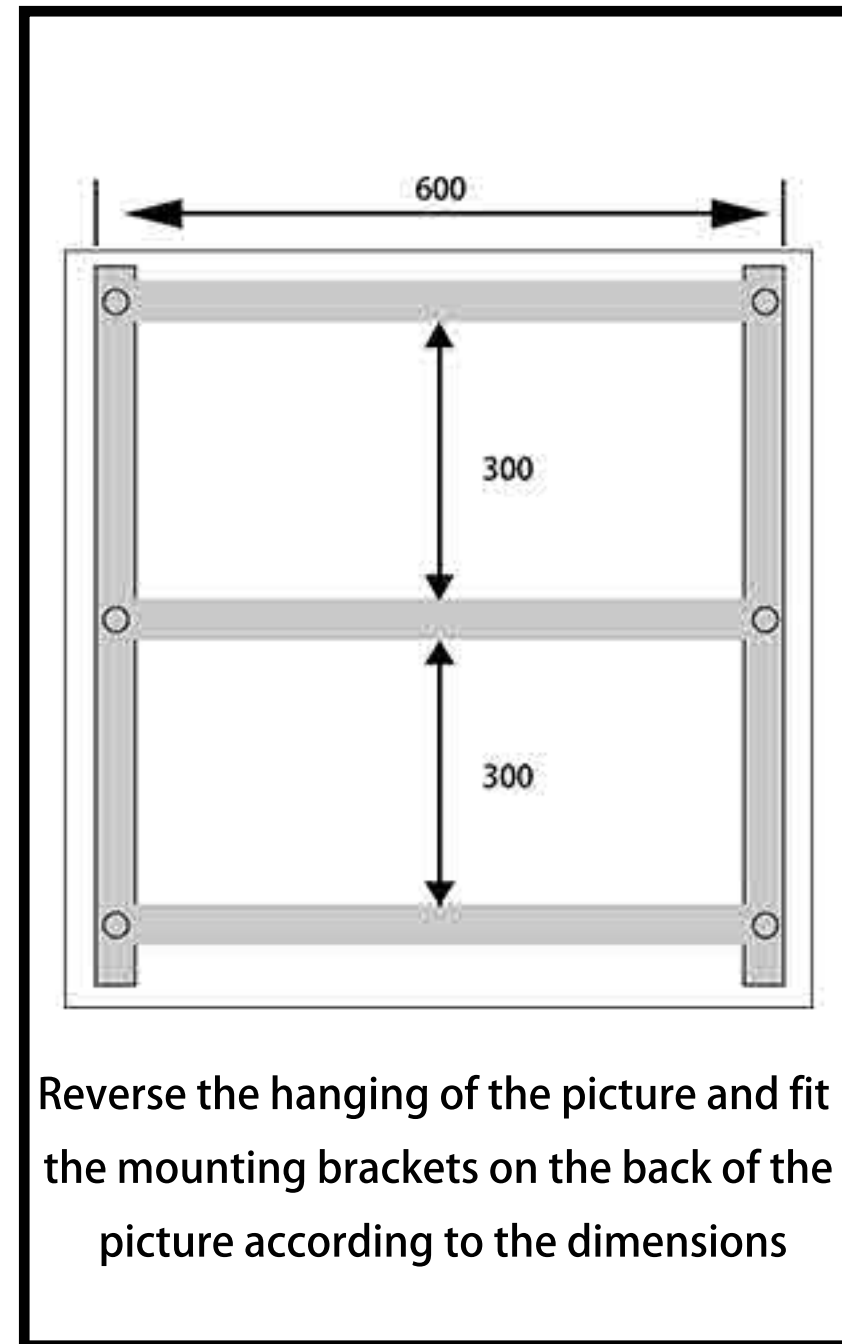
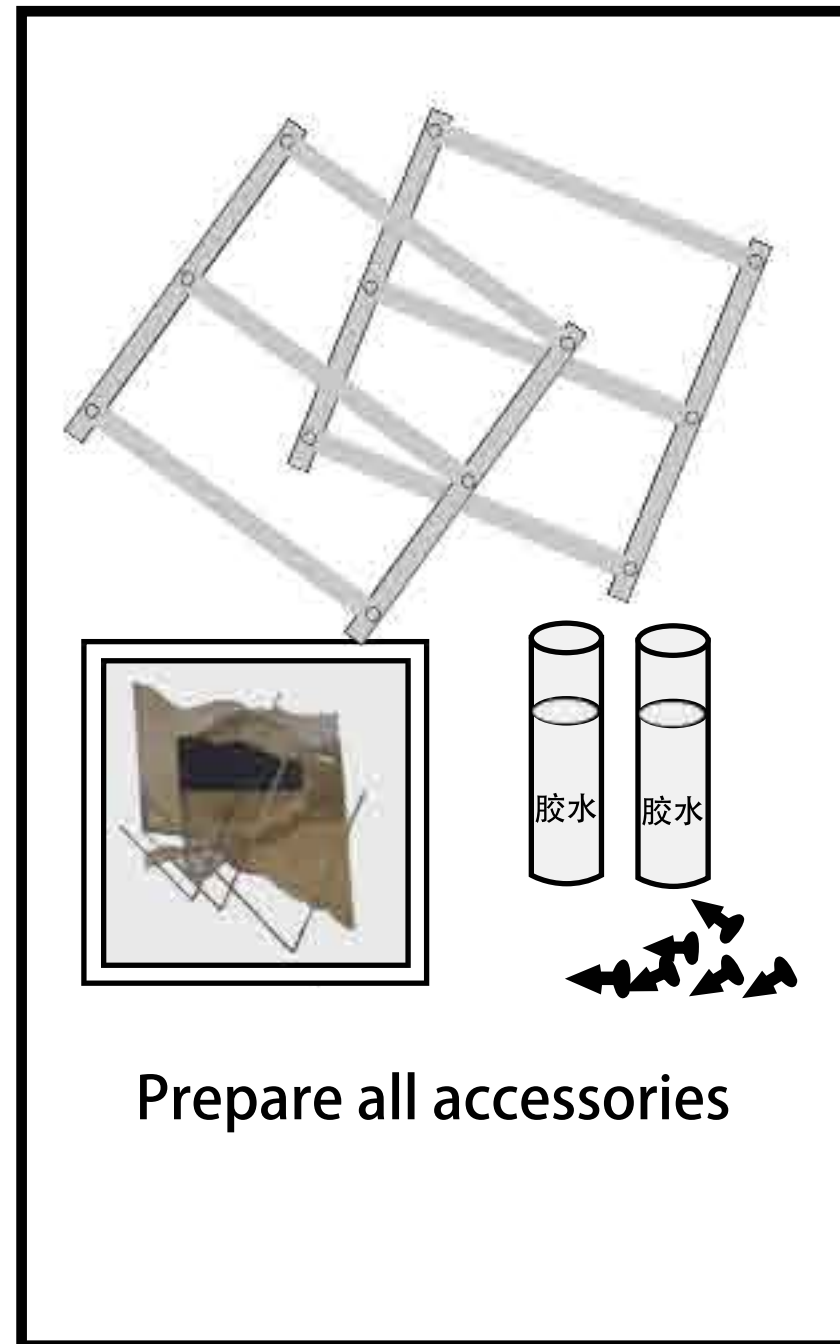


Install the pegboard in the same way as the illustration



Adjust the balance of the pegboard and the length of the lanyard.

# Fixed installation method



# Metal on the installation

